



hd C1CX

Commercial Stick

The **hd C1CX** is a passive 2-way miniature speaker, equipped with a 3.5" woofer and a coaxially arranged 1" tweeter, with a linear frequency response. The operation can be done via any power amplifier without DSP and makes the hd C1CX the optimal solution for decentralized or small sound reinforcement tasks such as in restaurants, conference rooms or theaters. The hd C1CX can be flexibly and easily installed permanently or can be used as a mobile ultra compact short throw speaker. Using the discreet ball joint wall mount, the hd C1CX can be easily swiveled and tilted or attached to the surface to be fixed extremely close and inconspicuous with the L-angle wall mount. Internal connection terminals ensure a tool-free and fast connection of the loudspeaker. For optimum adaptation to the room architecture, the loudspeaker can be customized in all RAL colors and special lengths. If wall mounting is not possible, the speaker can be used with the optional 3/8" inlet thread bottom plate and SpeakCON connector on a microphone stand.



Features

- Operation with any amplifier
- Integrated frequency and phase optimization
- elegant design
- precise and even sound emission
- Coverage pattern 80° x 80°
- excellent speech intelligibility
- extended frequency response for background music
- 100V version available

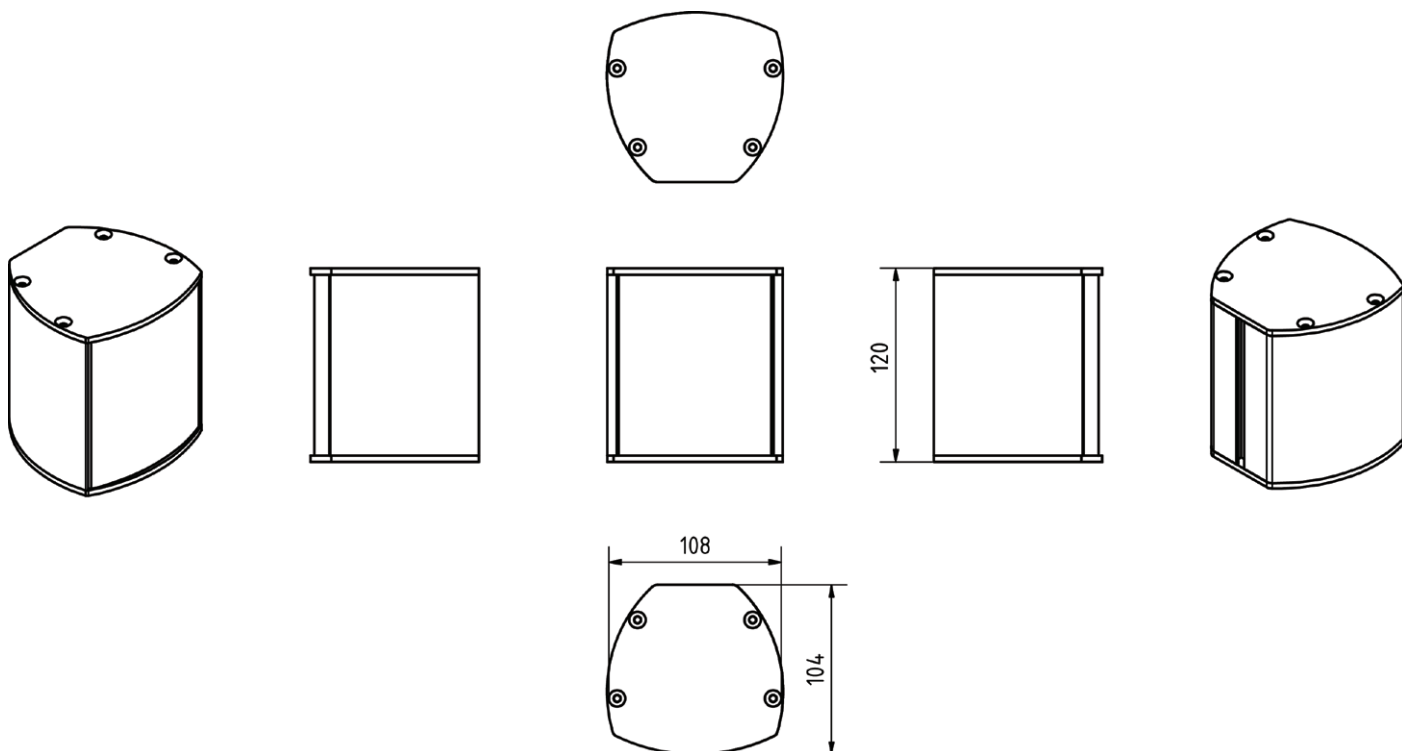
Applications

Restaurants, Bars, Airports, Train Stations, Home Theater, Conference Rooms, Hotels, A/V Installations, Multimedia Applications, Meeting Rooms, TV Studios, Churches

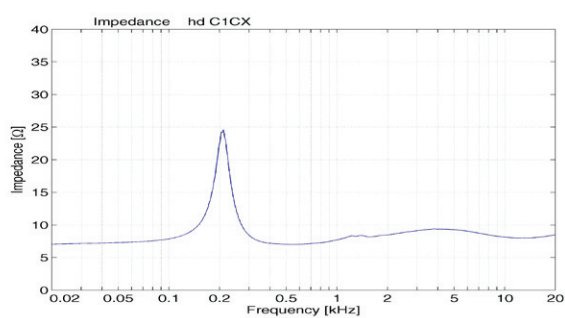
Model	hd C1CX
Order number	40350
Acoustic design	Coaxial
Transducers	1x 3,5" woofer 1x 1" tweeter
Impedance	8 Ω
Crossover	4 kHz
Coverage (hor x ver)	80° x 80°
Frequency range (-6dB)	120 Hz - 22 kHz
Sensitivity (1W / 1m)	89 dB
Power Rating AES / Peak	40 / 55 W
SPLmax @ 10% THD	111 dB
Enclosure	powder-coated aluminum profile black, steel grille with acoustic foam, connection terminal inside, cable inlet rear, incl. 2x M6 nuts
Optional Accessories	Speakon NL4 (Art. 900109) 3/8"- inlet thread + NL4 (Art. 900107) 35 mm flange + NL4 (Art. 900857) RAL color, wall mount, special length, weather protection, 100V
Weight	1 kg
Dimensions (W x H x D)	108 x 120 x 104 mm

hd C1CX datasheet

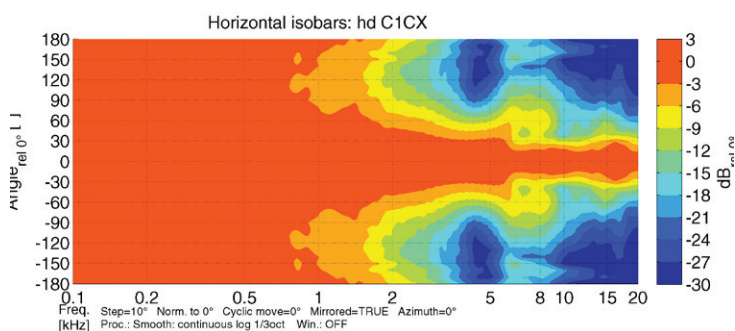
Dimensions [mm]



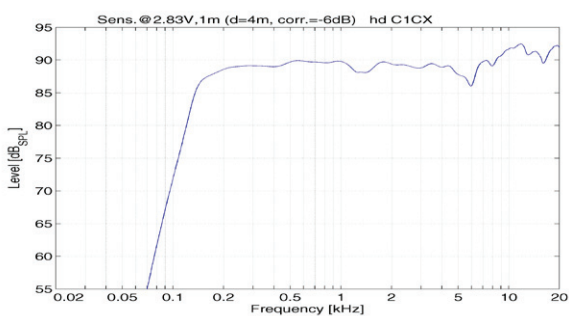
Impedance



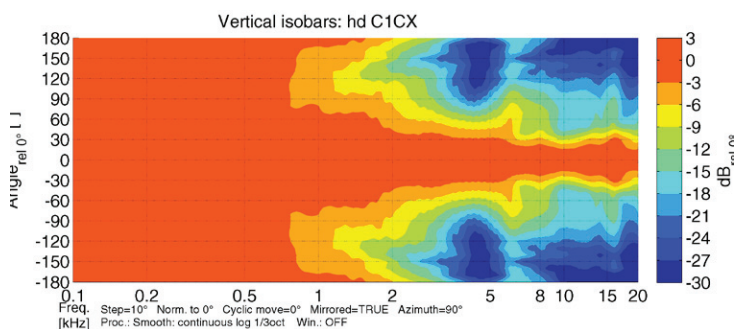
Horizontal Isobars



Frequency response with DSP preset

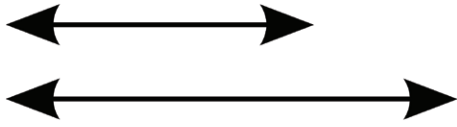


Vertical Isobars



hd C1CX datasheet

Accessories



Special length

Special length of the speaker according to customer requirements

Order number: 40712 (up to 1000 mm total length)
40713 (up to 2000 mm total length)



RAL-Color

Special color per article according to RAL color chart

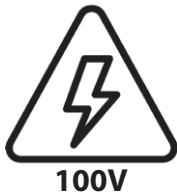
Order number: 1070



Weather protection

Impregnation against weather influences

Order number: 4610



100V-Transformer

integrated 100V transformer with three power taps (30/15/7,5 W)

Order number: 1074

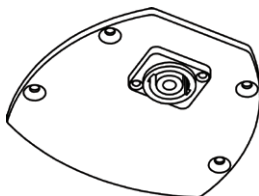


Plate with NL4

closed bottom plate with SpeakCON NL4 connector

Order number: 900109

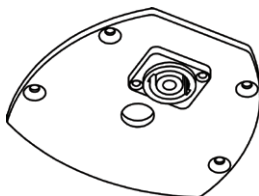


Plate with 3/8"- inlet thread with NL4

bottom plate with 3/8"- inlet thread for mounting the speaker on a microphone stand with SpeakCON NL4 connector

Order number: 900107

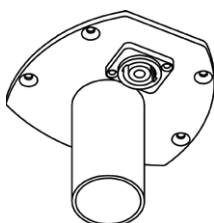


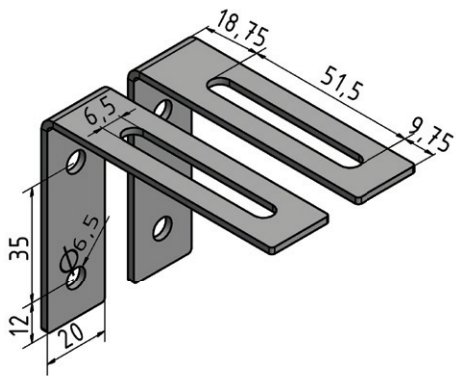
Plate with 35 mm flange and NL4

bottom plate with 35 mm flange with thumbscrew for mounting on a distance rod and with SpeakCON NL4 connector

Order number: 900857

hd C1CX datasheet

Accessories



L-bracket wall mount-set

Discreet L-bracket set for extremely close mounting of the speaker to the wall. Side swivel with inclination up to 5°. The speakers housing plates are equipped with M6 inlet threads.

Incl. 2x M6x14 hexagon socket screws

Load capacity:	5 kg
Dimensions (W x H x D):	20 x 60 x 80 mm
Order number:	900106 (in RAL color of speaker)



Ball joint wall mount

Compact ball joint wall mount bracket for tilting up to 20° and pivoting of up to 180°.

Load capacity:	5 kg
Dimensions (W x H x D):	40 x 70 x 70 mm
Order number:	901101BLK (black RAL 9005) 901101W (white RAL 9010)



UniBracket CCX

Adapter for CCX speaker for horizontal mounting to the front edge of the stage or monitor application. Wall mounting also possible incl. thumbscrew

Dimensions (W x H x D):	90 x 42 x 130 mm
Order number:	900870BLK (schwarz RAL 9005) 900870W (weiß RAL 9010)