



hd C8

Commercial Stick

The **hd C8** is a passive 1-way design speaker, equipped with eight 2" broadband drivers with a linear frequency response. The operation can be done via any power amplifier without DSP and makes the hd C8 the optimal solution for decentralized or small sound applications such as restaurants, conference rooms or theaters. The hd C8 can be flexibly and easily installed permanently or can be used mobile. Using the discreet ball joint wall mount, the hd C8 can be easily swiveled and tilted or mounted with the L-angle wall mount extremely close and unobtrusive to the surface to be fixed. Internal clamping connections ensure a tool-free and quick connection of the loudspeakers. For optimum adaptation to the room architecture, the loudspeaker can be customized in all RAL colors and special lengths. If wall mounting is not possible, the speakers can be used with the optional 35mm flange base plate and SpeakCON socket on a tripod.



Features

- Operation on any amplifier
- frequency and phase optimization integrated
- elegant design
- precise, even sound emission
- coverage 100° x 30°
- excellent speech intelligibility
- 100V version available

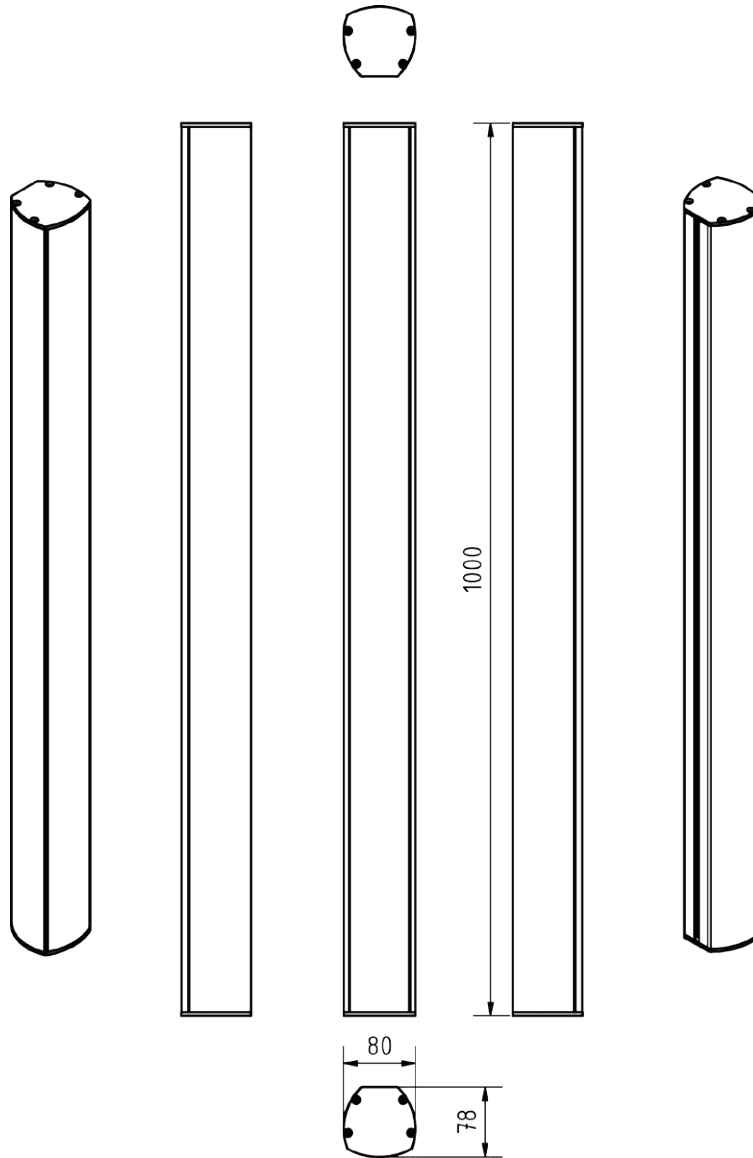
Applications

Restaurants, bars, airports, train stations, home theater, conference rooms, hotels, A / V installations, multimedia applications, meeting rooms, TV studios, churches

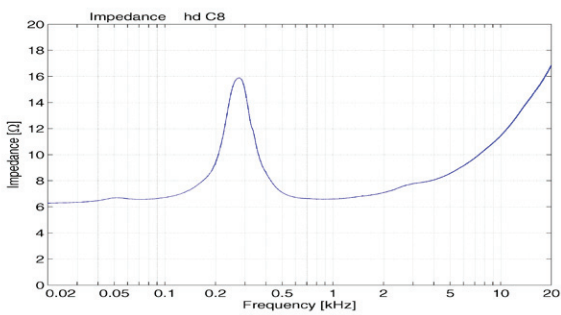
Model	hd C8
Order number	40310
Acoustic design	PointSource
Transducers	8x 2" fullrange chassis
Impedance	8 Ω or 32 Ω, choose on order
Coverage (hor x ver)	100° x 30°
Frequency range (-6dB)	90 Hz - 22 kHz
Sensitivity (1W / 1m)	95 dB
Power Rating AES / Peak	200 / 280 W
SPLmax @ 10% THD	119 dB
Enclosure	powder-coated aluminum profile black, steel grille with acoustic foam, terminal block inside, cable inlet rear, incl. 2x M6 nuts
Optional Accessories	Speakon NL4 (Art. 900109) 35 mm flange + NL4 (Art. 900857) RAL color (Art. 1070), wall bracket, Special length, weather protection,100V
Weight	6 kg
Dimensions (W x H x D)	80 x 1000 x 78 mm

hd C8 datasheet

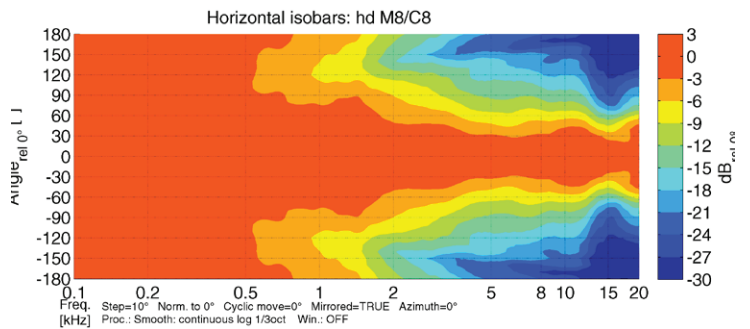
Dimensions [mm]



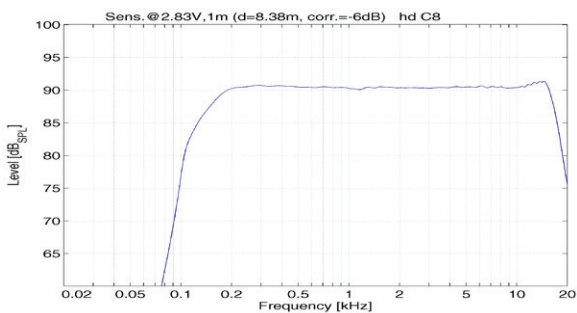
Impedance



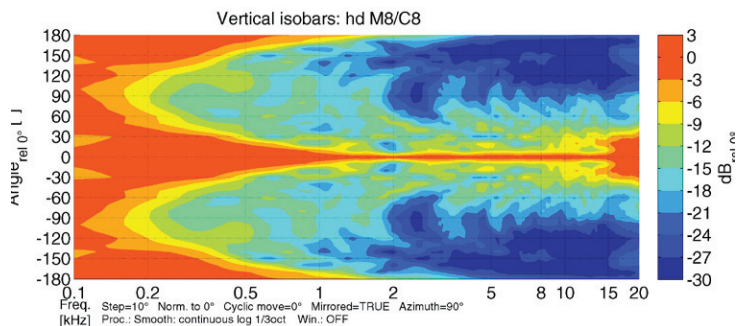
Horizontal Isobars



Frequency response with DSP preset



Vertical Isobars



hd C8 datasheet

Accessories



Special length

Special length of the speaker according to customer requirements

Order number: 40711 (up to 2000 mm total length)
40714 (up to 3000 mm total length)



RAL color

Special color per article according to RAL color chart

Order number: 1070



Weather resistant

Impregnation against weather influences

Order number: 4610



100V-Transformer

integrated 100V transformer with three power taps (30/15/7,5 W)

Order number: 1074

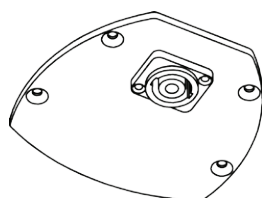


Plate with NL4

closed bottom plate with SpeakCON NL4 connector

Order number: 900109

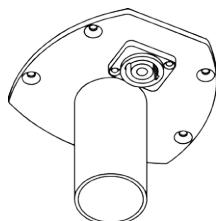


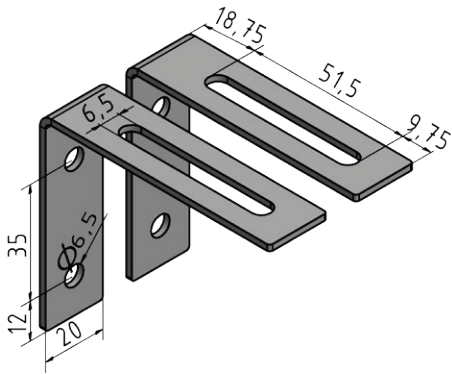
Plate with 35 mm flange and NL4

Bottom plate with 35 mm flange with thumbscrew for mounting on a distance rod and with SpeakCON NL4 connector

Order number: 900857

hd C8 datasheet

Accessories



L-bracket wall mount-set

Discreet L-bracket set for extremely close mounting of the speaker to the wall. Side swivel with inclination up to 5°. The speakers housing plates are equipped with M6 inlet threads.

Incl. 2x M6x14 hexagon socket screws

Load capacity:	5 kg
Dimensions (W x H x D):	20 x 60 x 80 mm
Order number:	900106 (in RAL color of speaker)



Ball joint wall mount

Compact ball joint wall mount bracket for tilting up to 20° and pivoting of up to 180°.

Load capacity:	5 kg
Dimensions (W x H x D):	40 x 70 x 70 mm
Order number:	901101BLK (black RAL 9005) 901101W (white RAL 9010)