



# hd M8

## PointSource Stick

The **hd M8** is a passive 1-way design speaker, equipped with eight 2" broadband chassis, which is ideal for near field or voice applications. Operation is possible via any power amplifier with DSP or via hd system amplifiers and makes the hd M4 the optimal solution for decentralized or small sound applications such as in restaurants, conference rooms or theaters. The hd M4 can be flexibly and easily installed permanently or can be used as a mobile device. Using the discreet ball joint wall mount, the hd M4 can be easily swiveled and tilted or attached with the L-angle wall mount extremely close and unobtrusive to the surface to be fixed. Internal clamping connections ensure a tool-free and quick connection of the loudspeakers. For optimum adaptation to the room architecture, the loudspeaker can be customized in all RAL colors and special lengths. If wall mounting is not possible, the speakers can be used with the optional 3/8" threaded base plate and SpeakCON jack on a microphone stand.



### Features

- PointSource in column format
- Operation with any amplifier
- Frequency and phase optimization integrated
- elegant design
- precise, even sound emission
- Coverage pattern 100 ° x 30 °
- excellent speech intelligibility
- 100V version available

### Applications

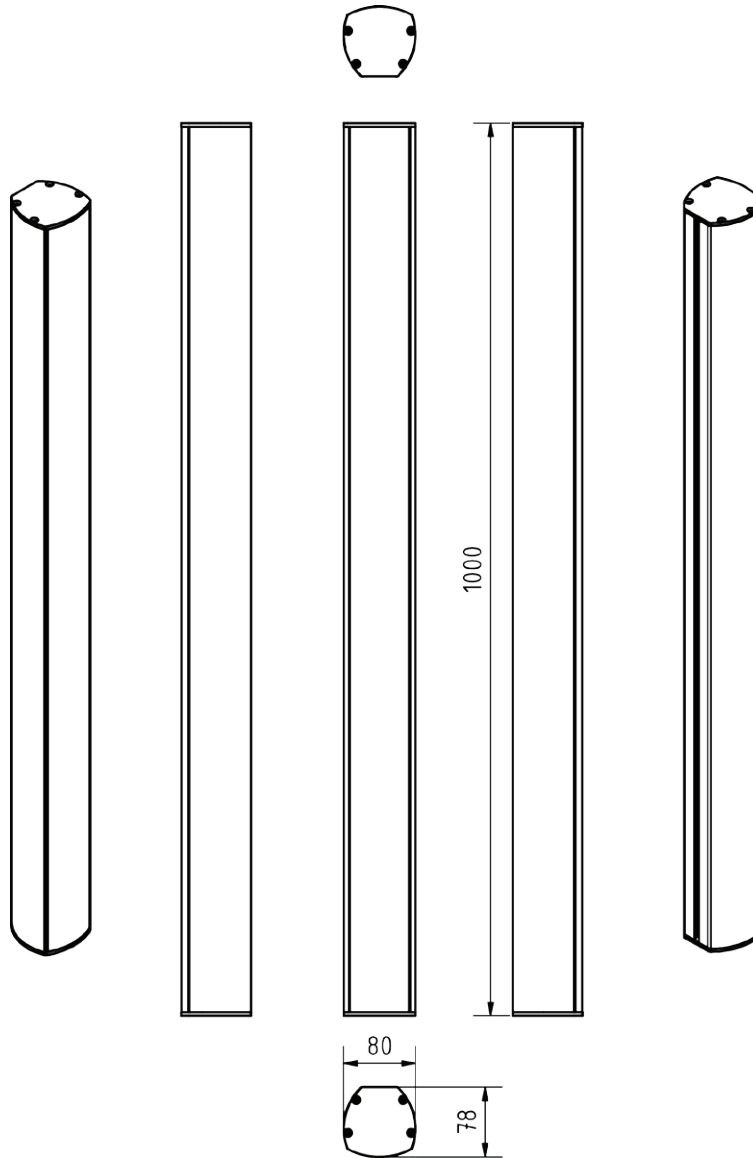
Restaurants, Bars, Airports, Train Stations, Home Theater, Conference Rooms, Hotels, A / V Installations, Multimedia Applications, Meeting Rooms, TV Studios, Churches

<b>Model</b>	<b>hd M8</b>
<b>Order number</b>	40108
<b>Acoustic design</b>	PointSource
<b>Transducers</b>	8x 2" fullrange chassis
<b>Impedance</b>	8 Ω or 32 Ω, choose on order
<b>Coverage (hor x ver)</b>	100° x 30°
<b>Frequency range (-6dB)</b>	130 Hz - 22 kHz
<b>Sensitivity (1W / 1m)</b>	95 dB
<b>Power Rating AES / Peak</b>	200 / 280 W
<b>SPLmax @ 10% THD</b>	119 dB
<b>Enclosure</b>	powder-coated aluminum profile black, steel grille with acoustic foam, connection terminal inside, cable inlet rear, incl. 2x M6 nuts
<b>Optional Accessories</b>	Speakon NL4 (Art. 900109) 35 mm flange + NL4 (Art. 900857) RAL color, wall mount, special length, weather protection, 100V
<b>Weight</b>	5 kg
<b>Dimensions (W x H x D)</b>	80 x 1000 x 78 mm

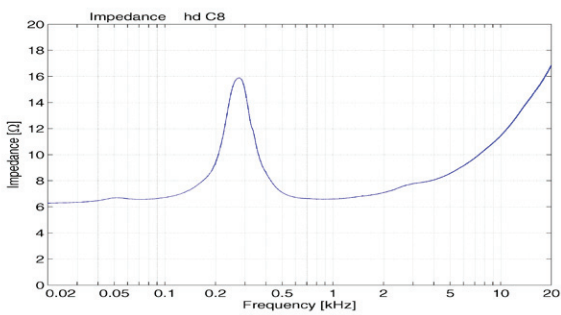


# hd M8 datasheet

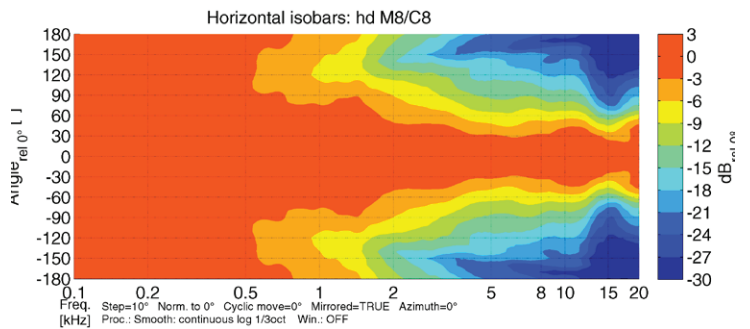
## Dimensions [mm]



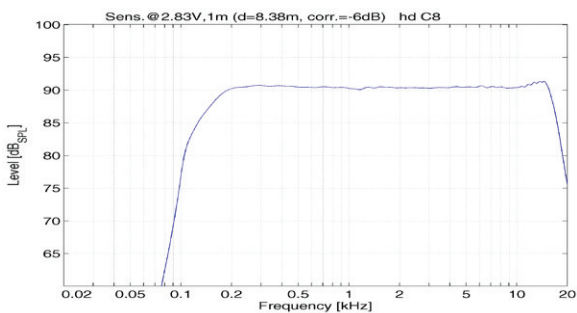
## Impedance



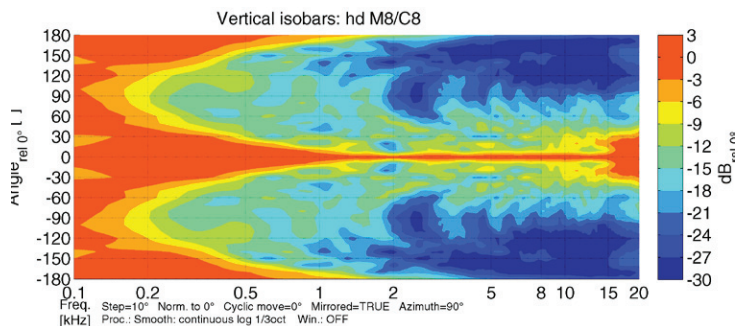
## Horizontal Isobars



## Frequency response with DSP preset

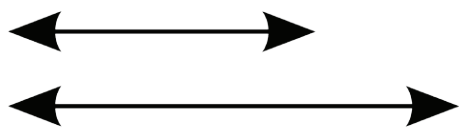


## Vertical Isobars



# hd M8 datasheet

## Accessories



### Special length

Special length of the speaker according to customer requirements

Order number: 40711 (up to 2000 mm total length)  
40714 (up to 3000 mm total length)



### RAL color

Special color per article according to RAL color chart

Order number: 1070



### Weather resistant

Impregnation against weather influences

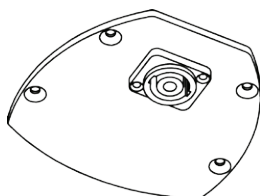
Order number: 4610



### 100V-Transformer

integrated 100V transformer with three power taps (30/15/7,5 W)

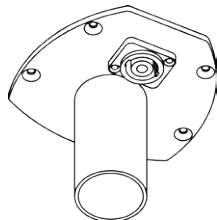
Order number: 1074



### Plate with NL4

closed bottom plate with SpeakCON NL4 connector

Order number: 900109



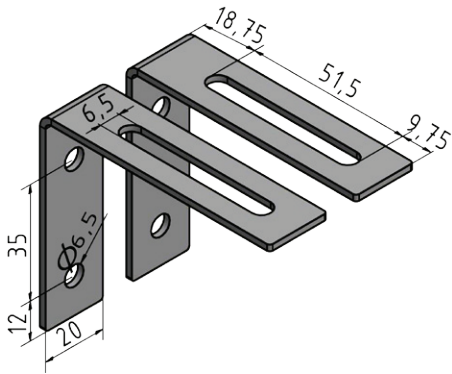
### Plate with 35 mm flange and NL4

Bottom plate with 35 mm flange with thumbscrew for mounting on a distance rod and with SpeakCON NL4 connector

Order number: 900857

# hd M8 datasheet

## Accessories



### L-bracket wall mount-set

Discreet L-bracket set for extremely close mounting of the speaker to the wall. Side swivel with inclination up to 5°. The speakers housing plates are equipped with M6 inlet threads.

Incl. 2x M6x14 hexagon socket screws

Load capacity:	5 kg
Dimensions (W x H x D):	20 x 60 x 80 mm
Order number:	900106 (in RAL color of speaker)



### Ball joint wall mount

Compact ball joint wall mount bracket for tilting up to 20° and pivoting of up to 180°.

Load capacity:	5 kg
Dimensions (W x H x D):	40 x 70 x 70 mm
Order number:	901101BLK (black RAL 9005) 901101W (white RAL 9010)