



hd ML16

LineArray Stick

The **hd ML16** is a passive 1-way column speaker with an elegant look and excellent sound characteristics. The sixteen 2" fullrange chassis produce a cylindrical wave radiation characteristic up to the highest audible frequencies. The resulting higher throw range and better speech intelligibility compared to conventional column loudspeakers predestines the hd ML16 LineArray Sticks for use in acoustically difficult environments such as churches, airports, conference rooms or halls. The range of up to 18 m and horizontal coverage of 100° ensures efficient sound solutions with only a few speakers. The 2" chassis are the best choice for human voice reproduction due to their low diaphragm weight and nearly the same size as the human vocal cords. The M6 square nut through-hole on the back of the speaker allows all mounts or a tilting tripod adapter to be attached. A Speakon jack is located on the bottom plate for connecting inputs in mobile applications. A 35 mm flange allows use on a tripod.



Features

- real cylindrical wave propagation
- elegant design
- precise, even sound emission
- coverage pattern 100° x 15°
- excellent speech intelligibility
- discreet room integration
- 100V version available
- custom length possible

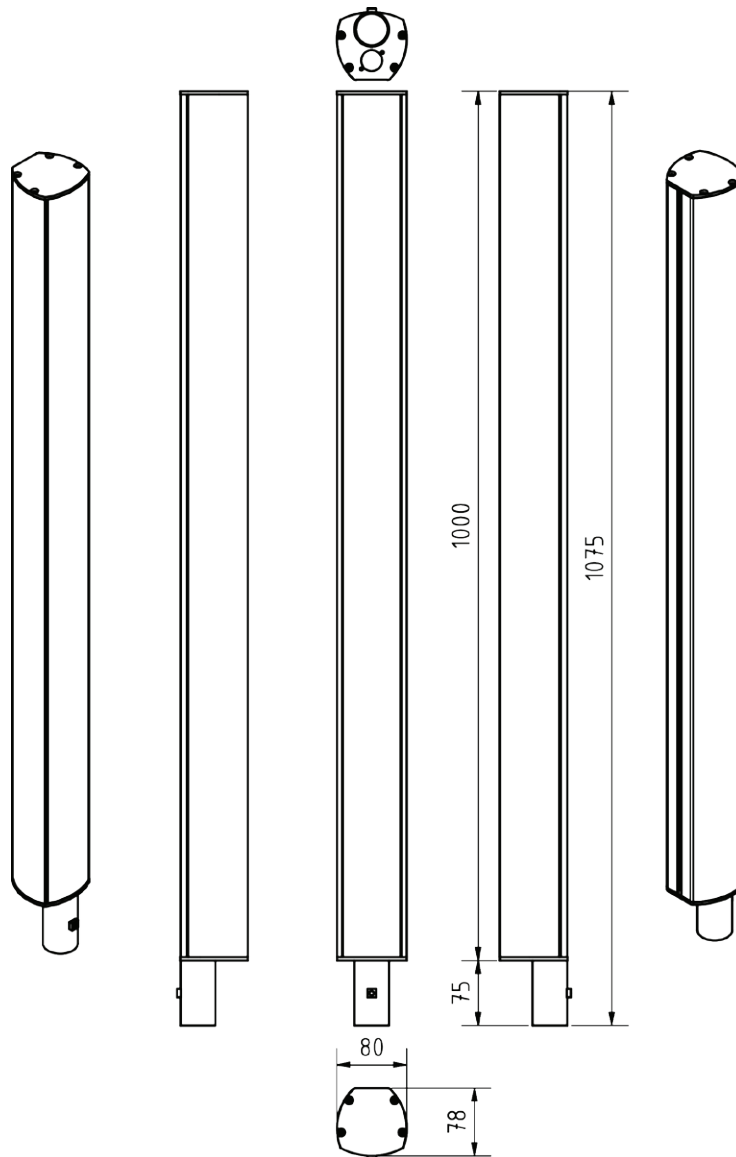
Anwendung

Restaurants, bars, airports, train stations, home theater, conference rooms, hotels, A/V installations, multimedia applications, meeting rooms, TV studios, churches, live music, DJ, concert halls, radio

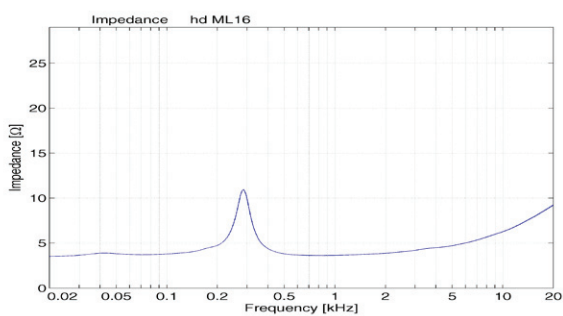
Model	hd ML16
Order number	60200
Acoustic design	LineSource
Transducers	16x 2" fullrange chassis
Impedance	4 Ω
Coverage (hor x ver)	100° x 15°
Frequency range (-6dB)	140 Hz - 20 kHz
Sensitivity (1W / 1m)	94 dB
Power Rating AES / Peak	400 / 560 W
SPLmax @ 10% THD	123 dB
Enclosure	powder-coated aluminum profile black, steel grille with acoustic foam, 1x Speakon NL4 + 35 mm flange on the bottom cover
Optional Accessories	Speakon NL4 (Art. 900109) Transport bag (Art. 30104) RAL color (Art. 1070) Special length, Weather resistant 100V-Transformer (Art. 1074)
Weight	6 kg
Dimensions (W x H x D)	80 x 1075 x 78 mm

hd ML16 datasheet

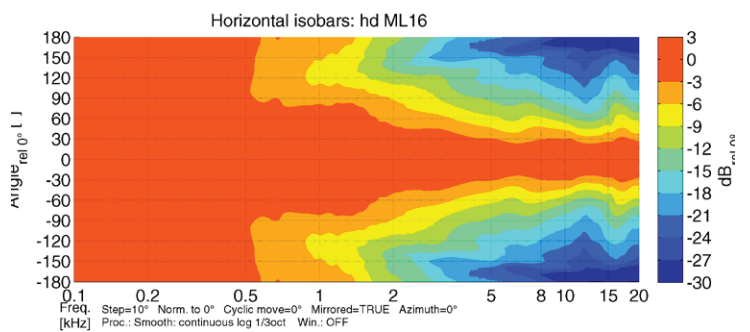
Dimensions [mm]



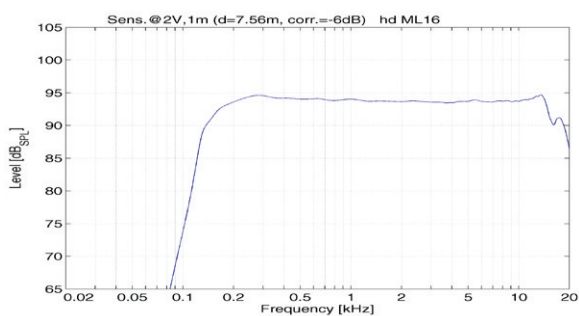
Impedance



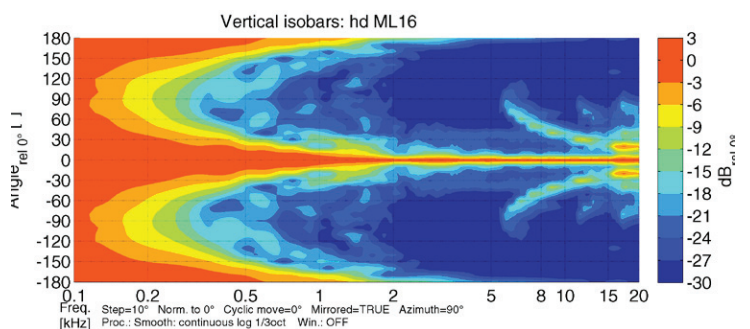
Horizontal Isobars



Frequency response with DSP preset



Vertical Isobars



hd ML16 datasheet

Accessories



Special length

Special length of the speaker according to customer requirements

Order number: 40711 (up to 2000 mm total length)



RAL color

Special color per article according to RAL color chart

Order number: 1070



Weather resistant

Impregnation against weather influences

Order number: 4610



100V-Transformer

integrated 100V transformer with three power taps (30/15/7,5 W)

Order number: 1074

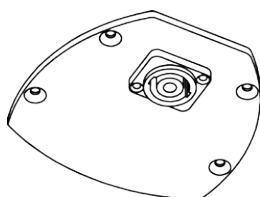


Plate with NL4

closed bottom plate with SpeakCON NL4 connector

Order number: 900109



Mounting adapter for mobile applications

Use with tripod adapter 19780 for easy and quick installation with two thumbscrews in mobile applications

Order number: 900858 (black RAL 9005)



Transport bag ML16

Durable polyester carrying bag with 10 mm padding and zipper, carrying handle, shoulder strap and hd logo print

Order number: 30104

hd ML16 datasheet

Accessories



Tripod adapter 19780

Tripod adapter for tilting up to 30° on a 35 mm tripod

Load capacity: 15 kg
Dimensions (W x H x D): 59 x 87 x 131 mm
Order number: 900856 (black RAL 9005)



Wall mount 24180

Wall distance 105 mm, laterally swiveling with inclination up to 15°

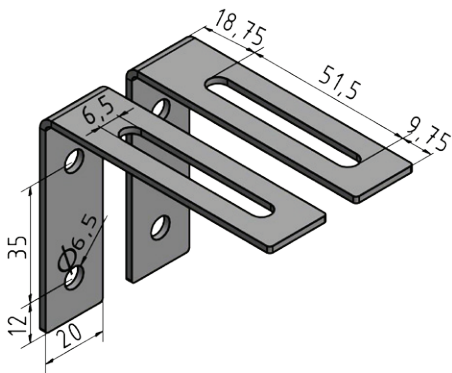
Load capacity: 15 kg
Dimensions (W x H x D): 70 x 130 x 105 mm
Order number: 900854BLK (black RAL 9005)
900854W (white RAL 9010)



Wall mount 24471

Wall distance 110 mm, laterally swiveling with inclination up to 30°

Load capacity: 15 kg
Dimensions (W x H x D): 90 x 160 x 110 mm
Order number: 900851BLK (black RAL 9005)
900851W (white RAL 9010)



L-bracket wall mount-set

Discreet L-bracket set for extremely close mounting of the speaker to the wall. Side swivel with inclination up to 5°. The speakers housing plates are equipped with M6 inlet threads.
Incl. 2x M6x14 hexagon socket screws

Load capacity: 30 kg
Dimensions (W x H x D): 20 x 60 x 80 mm
Order number: 900106 (in RAL color of speaker)



Ball joint wall mount

Compact ball joint wall mount bracket for tilting up to 20° and pivoting of up to 180°.

Load capacity: 6 kg
Dimensions (W x H x D): 40 x 70 x 70 mm
Order number: 901101BLK (black RAL 9005)
901101W (white RAL 9010)